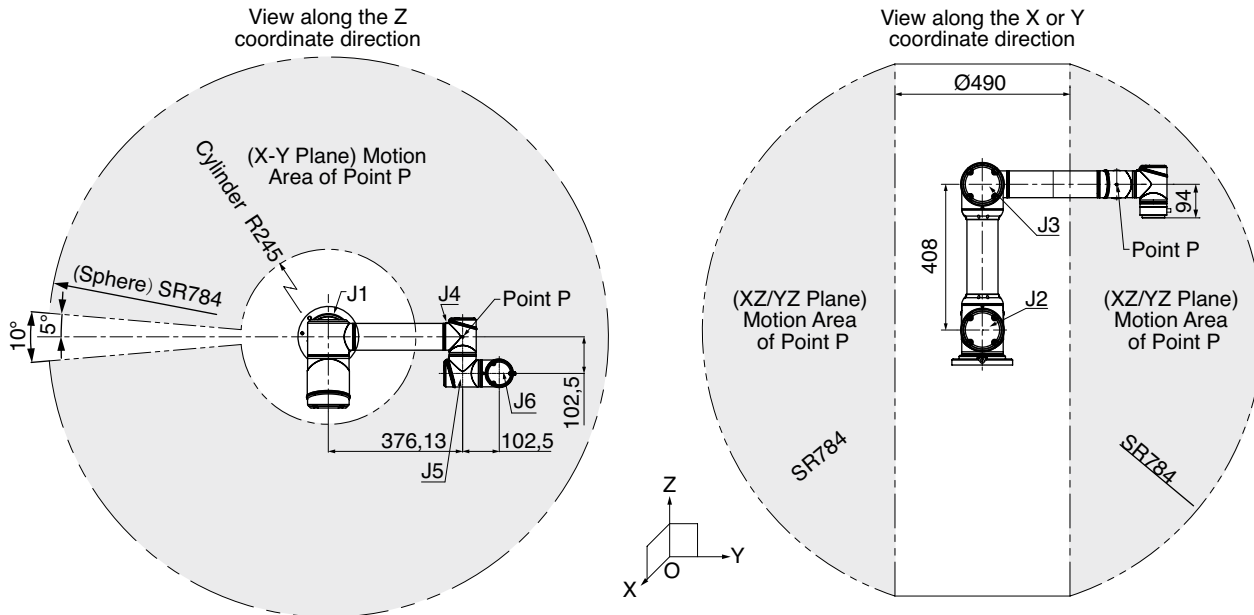


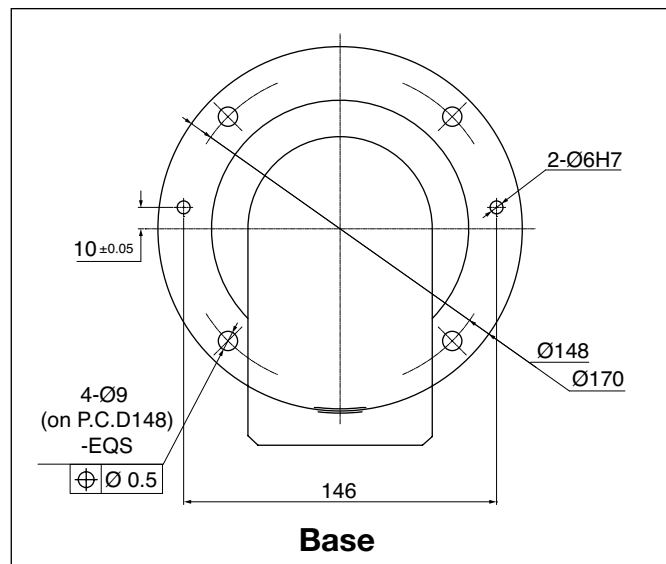
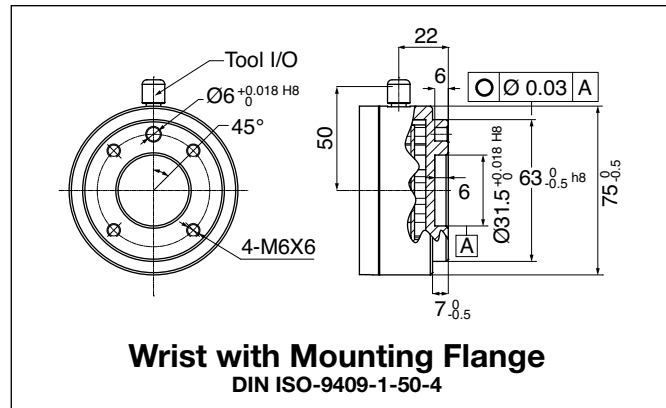
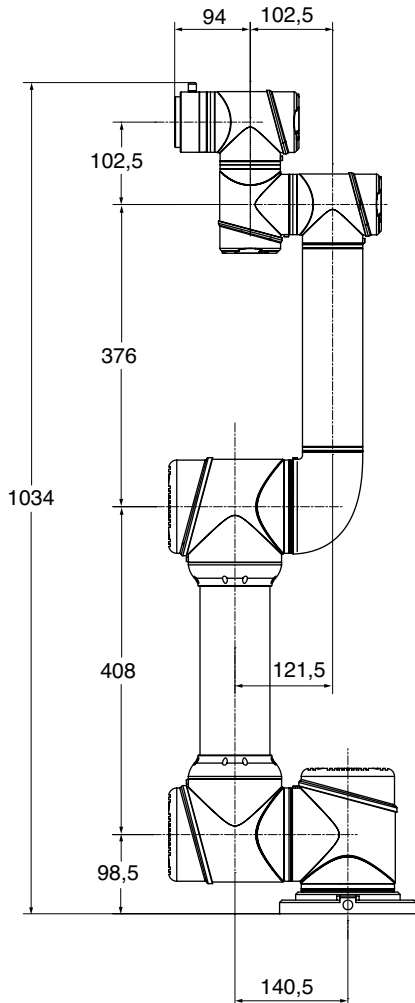
AUBO-i5 Collaborative Robot (Co-Bot)

Work Envelope-Range of Motion of the Point P



NOTE:

1. Double dotted _____ line means regional boundaries
2. The trajectory of Point P may exceed the space area which contained by the double dotted line



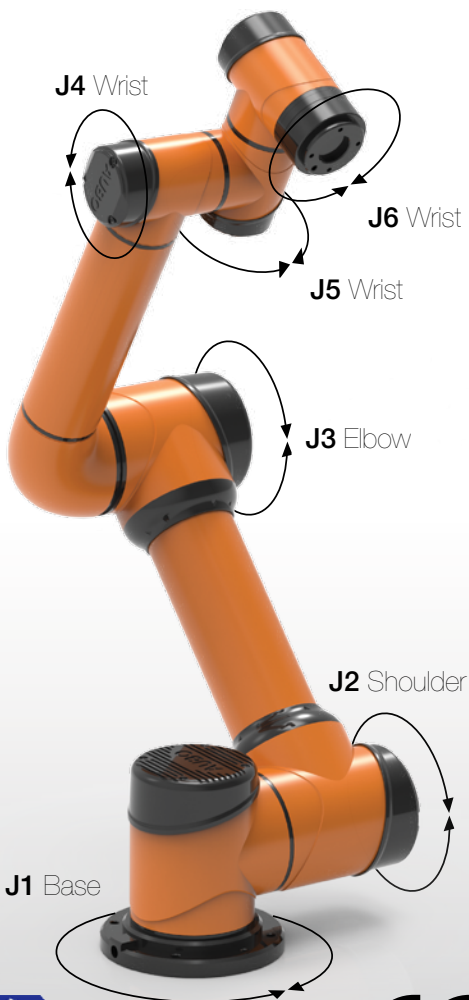


AUBO-i5

6 axis

5Kg payload

924mm reach



TECHNICAL SPECIFICATIONS:

Robot Type	AUBO-i5 Articulated Type / Modular
Controlled Axes DoF	6 axes (J1 , J2, J3, J4, J5, J6) J7max
Reach	924 mm, 880 mm (working range)
Payload	5Kg
Weight	24 Kg
Footprint	172 mm diameter
Collaborative Operation	Safety monitored stop, speed and separation monitoring, hand guide operation, power and force limiting design
Certifications	ISO 10218-1:2011, EN 60204-1:2006 + A1:2009, ISO 12100: 2010, ISO 13849-1:2008, CE
Repeatability	(+/- 0.05 mm)
Linear Velocity	2.8 m/s adjustable
Power Consumption	200 watts typical application
Materials	Aluminum, Steel, Plastic
Ambient Humidity	Normal 75% RH or less without frost or dew, 85% RH short term
Ambient Temperature	0 to 45 degrees Celsius
IP Classification of Robot	IP54
Programing	Teach pendant with user interface, guide to teach, ROS compatibility through an API, Lua or Python
Communication	CAN bus
Motor Type	Harmonic drive 48 Volt
Installation Orientation	Any Ceiling, Floor, Wall

AXIS MOVEMENT

J1 axis rotation base	(+/-) 175°	150°/sec	207 Nm
J2 axis rotation shoulder	(+/-) 175°	150°/sec	207 Nm
J3 axis rotation elbow	(+/-) 175°	150°/sec	207 Nm
J4 axis wrist rotation	(+/-) 175°	180°/sec	34 Nm
J5 axis wrist swing	(+/-) 175°	180°/sec	34 Nm
J6 axis wrist rotation	(+/-) 175°	180°/sec	34 Nm

WORKING RANGE	MAXIMUM SPEED	MAX. JOINT MOMENTS
(+/-) 175°	150°/sec	207 Nm
(+/-) 175°	150°/sec	207 Nm
(+/-) 175°	150°/sec	207 Nm
(+/-) 175°	180°/sec	34 Nm
(+/-) 175°	180°/sec	34 Nm
(+/-) 175°	180°/sec	34 Nm

I/O PORT ON WRIST

Voltage	Current	Digital In	Digital out	Analog In	Analog Out
0/12/24 V	800 mA	4	4	2	0

CONTROL BOX

Dimensions (LxWxH)	683x220x622 mm
Weight	20Kg
Cabling	5mm
Color	Black
Communication	TCP/IP, Modbus RTU/TCP
Power supply	100 - 240 VAC, 50 - 60 Hz
IP Classification	IP54



I/O PORTS

	User I/O	Safety I/O
Digital in	16	16
Digital out	16	16
Analog In	4	-
Analog out	4	-
Power input	24 Volts	
Power output	3A	

TEACH PENDANT

Dimensions (LxWxH)	355x235x54 mm
Weight	1.8 Kg
Display Screen	30 cm Touch LCD Screen
Cabling	4.5 mm
IP Classification	IP54
Color	Orange

